

Collingwood Children's Farm: Community Garden  
Concept Presentation

26.05.23



OFFICE

**OPENWORK**

Project Briefing Documents

**The Collingwood Children’s Farm Mission:**

*To improve the lives of children, the disadvantaged, disabled, unemployed and marginalised persons within the Victorian community (Children and Disadvantaged Persons) by providing inclusive services and support to build independence and quality of life for Children and Disadvantaged Persons.*

**Six Principles From the Community Engagement Report:**

**Recognise History** (First Nations, Abbotsford Convent heritage, migrant plot gardeners from the 1970s);

**Protect the land for future generations** (biodiverse, regenerative, climate resilient);

**Create a sanctuary** (a place of beauty to rest, awaken the 8 senses);

**Reflect The Farm’s aesthetic** (rustic, natural materials wood/stone);

**Accessible for all** (for people with disabilities, in all areas of the Community Garden) and

**Prioritise sharing** (of space, land, produce, learning).

Design Principles

# Inclusive

A garden for all. Create spaces for people of all abilities.

# Productive

A productive series of gardening spaces. The design must integrate practical infrastructure that allows for this.

# Community Orientated

Design towards needs of The Farm’s communities. In doing this the need the space to adapt to as the community changes is key.

# Multifunctional

Design spaces cater for multiple users, so that they are multi-functional and inclusionary rather than separating by their specific needs



View across community gardens site from the bridge



View across the community garden site from the north west corner

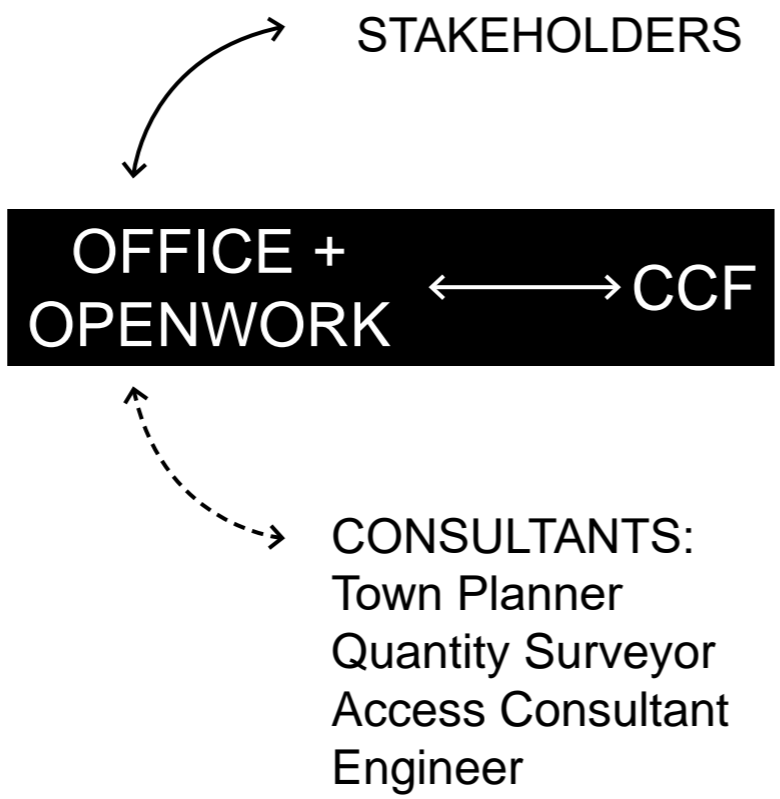
# Stakeholder Engagement

## Stakeholders

The Farm and the community garden have a vast array of passionate stakeholders, these stakeholders including The Farm staff are integral to the development of the design.

Through concept design the project team has met regularly with The Farm staff and committee of management to workshop design and programming solutions for the community garden. OFFICE + Openwork team held an access workshop inviting key farm staff along with accessibility consultants to discuss strategies to improve accessibility in the new community garden and the wider CCF site. Ongoing engagement with the staff and access consultants will be held in future design stages of the project including a site visit with the access consultant.

Engagement with key farm staff and Committee of Management will continue through the design development and tender documentation stages to ensure that the design for the community garden builds on the knowledge held within The Farm, with the hope that strategies developed for the community garden inspire future positive change on the site.



Tour of The Farm with head of horticulture.



Accessibility workshop.



**Inside Community Garden Scope Of Works**

- ① New accessible paths
- ② Gate into market garden
- ③ Connect into existing Yarra Trail

**Future Works**

- Ⓐ DDA Access via the new multi-purpose building
- Ⓑ Native vegetation adjacent to river continuing work of Narap Team
- Ⓒ Realign Yarra Trail to increase safety and minimise impact onto the operations of The Farm. Path to be widened and upgraded
- Ⓓ Create legible pedestrian /cyclist crossing
- Ⓔ Realign retaining wall to minimise interaction between cyclists and The Farm Cafe
- Ⓕ Demolish bridge
- Ⓖ Add bollards to redirect cyclists
- Ⓗ Expand community garden
- Ⓘ Renovate existing buildings ensuring accessibility to wider farm
- ⓵ Open up area to the public, consult with CCF staff on productive use of space. DDA paths to link in with community garden.
- Ⓚ Regrade path network to ensure accessibility throughout The Farm
- Ⓛ Viewing platform on the river



Examples of multisensory design elements and secluded spaces

Design Considerations

- Sensory gardens
- Variety of spaces to stimulate senses & encourage interaction with surroundings
- Variety of textures (landscape & architectural elements)
- Change in path designs (elevated walks, small stumps, rocks, sand, water)
- A protected spaces for sense of security
- Provision of secluded spaces



Examples of wheelchair accessible planting, play and workspaces

Design Considerations

- Lack of quality precedents
- Most common are small & shallow planter boxes
- Require a wide path & parking space
- Frequent and flexible seating throughout the garden



Examples of educational gardening spaces

Design Considerations

- Permissible space
- Smaller scale planters
- Planting at different heights
- Sinks at appropriate height
- Trellis spaces at appropriate scale
- Allow for children of different ages
- Allow for children with different abilities
- Risk and danger



Design Considerations

- Shade
- Tool storage
- Sinks
- Scales
- Communal table
- Shared plants, dwarf fruit trees, herbs  
perennials
- Hot house



Examples of communal public infrastructures



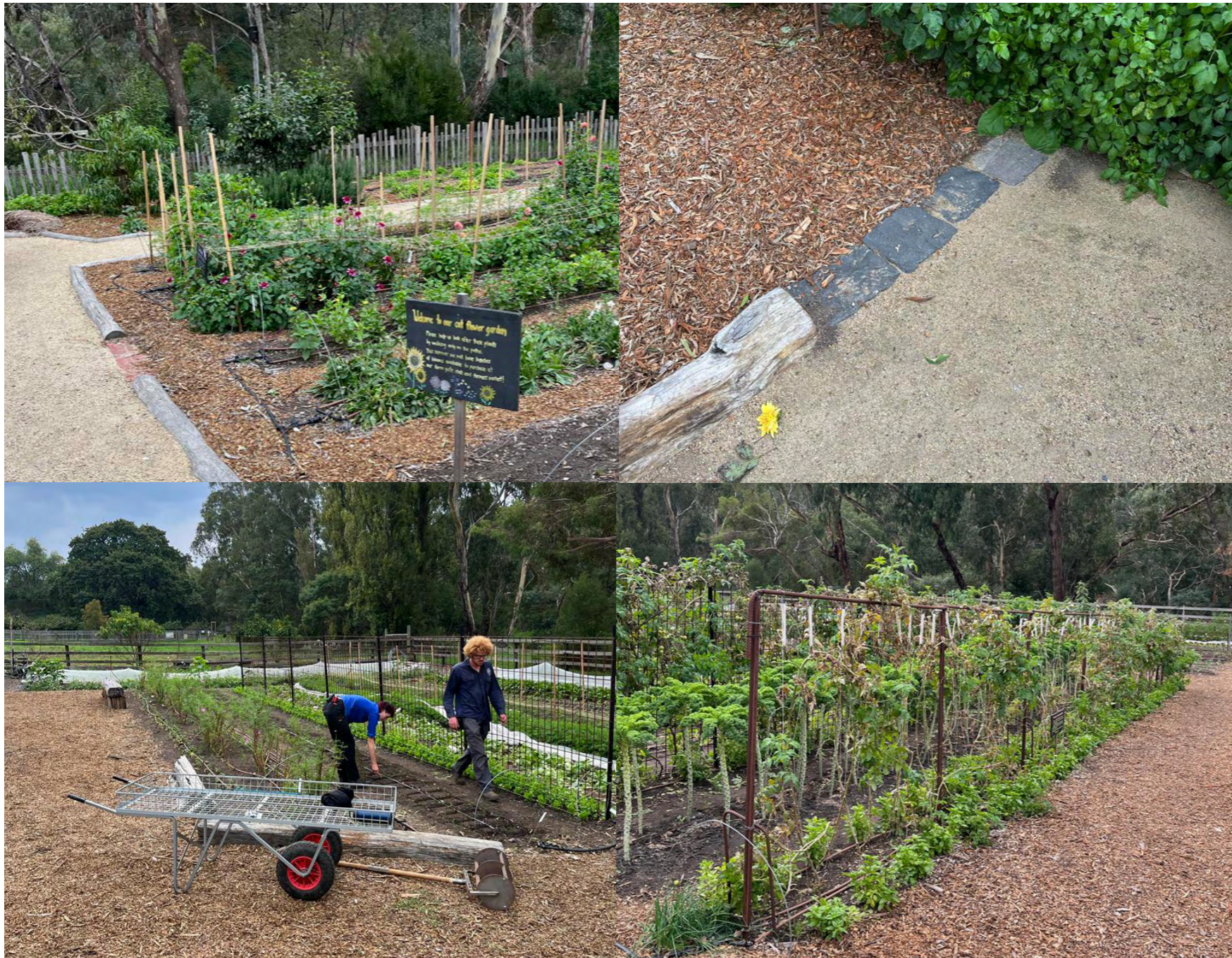


Examples of shade and trellis structures, that create quality spaces while providing vertical greening.

Design Considerations

- Shade
- Provide alternative growing space
- Appropriate scale for kids
- Elevates growing for people in wheelchairs

Materiality



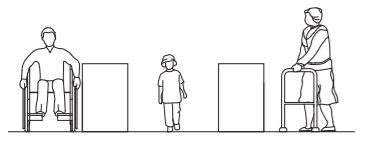
Examples of existing materiality on The Farm that can be elevated through the community garden design

Design Considerations

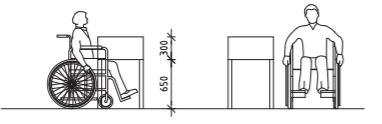
- Informed by agricultural
- Functionally refined
- Material honesty
- Durability and ease of maintenance

# Designing For Accessibility

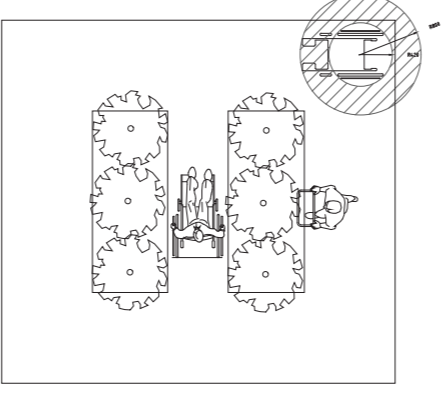
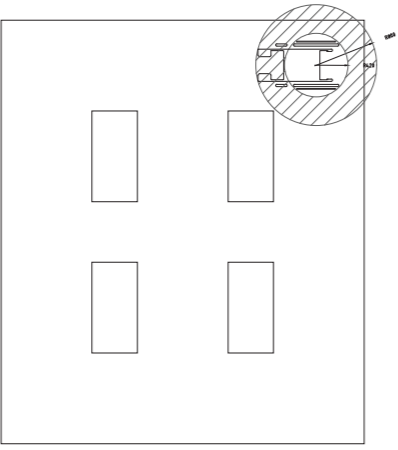
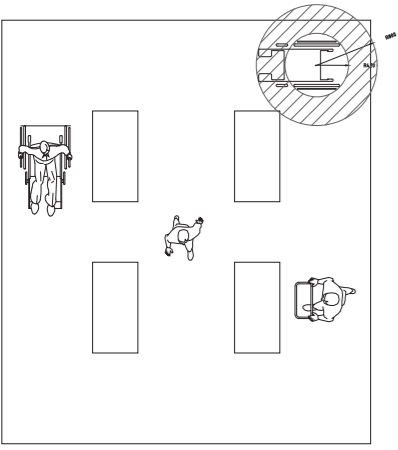
Accessible planting



Accessible planter beds



Dwarf fruit trees for accessible gardening



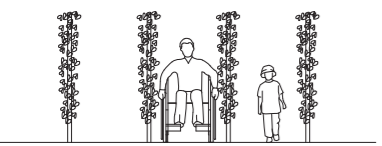
Accessibility of the community garden is key to allowing *The Farm* to meet its mission. OFFICE + Openwork will continue to engage with The Farm staff and MGAC (access consultants) to allow for greater accessibility in the community garden site, with the hope that this project can be a catalyst for future improvement throughout *The Farm*.

Through the project we will be expansive in our understanding of designing for accessibility acknowledging that *The Farm* supports people with a range of needs including:

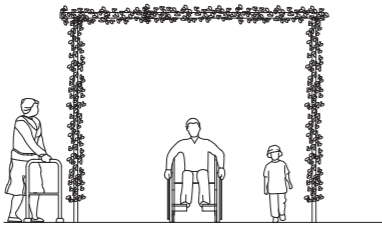
- People with a physical disability
- Neurodiverse people
- People with an intellectual disability
- Older people

OFFICE + Openwork acknowledge that The Farm community members have an intersection of needs and levels of support. OFFICE + Openwork sees the role of the design to facilitate the support *The Farm* and their partner organisations offer.

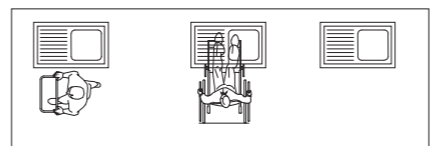
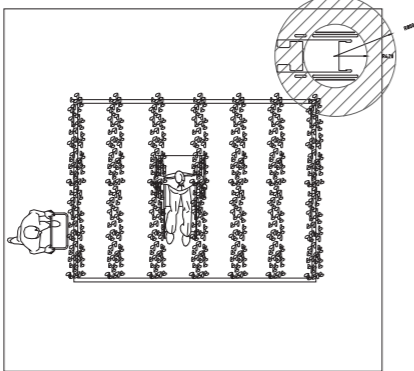
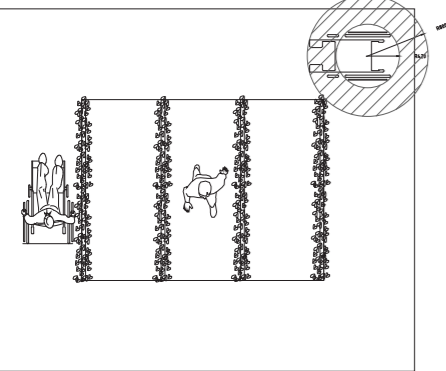
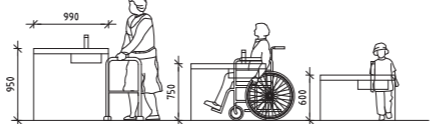
Vine/Espalier planting

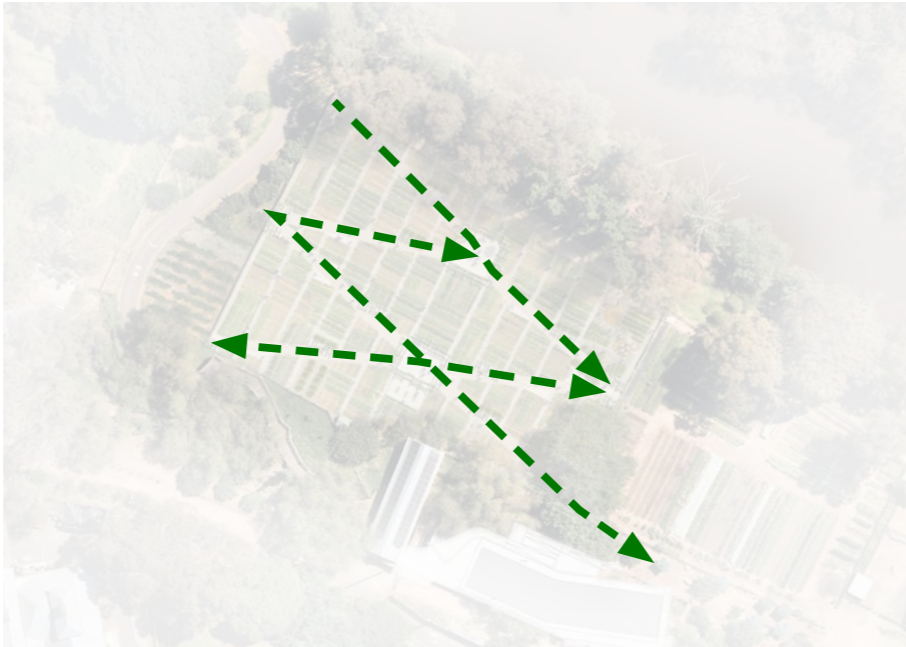


Pavilions/Trellis'



Accessible sinks

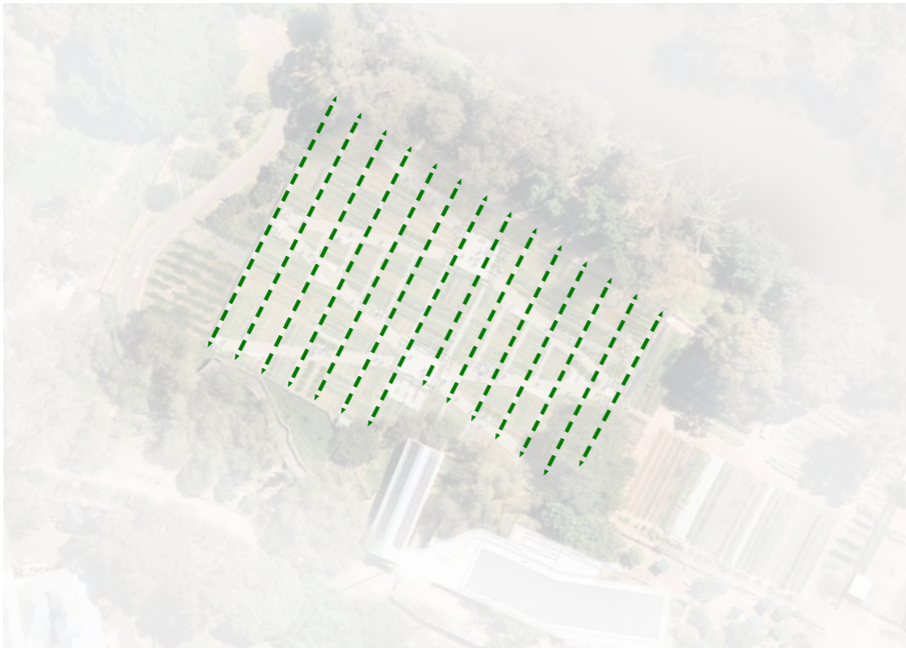




1. Accessible Paths



2. Remove rail from post and rail fences



3. Access paths



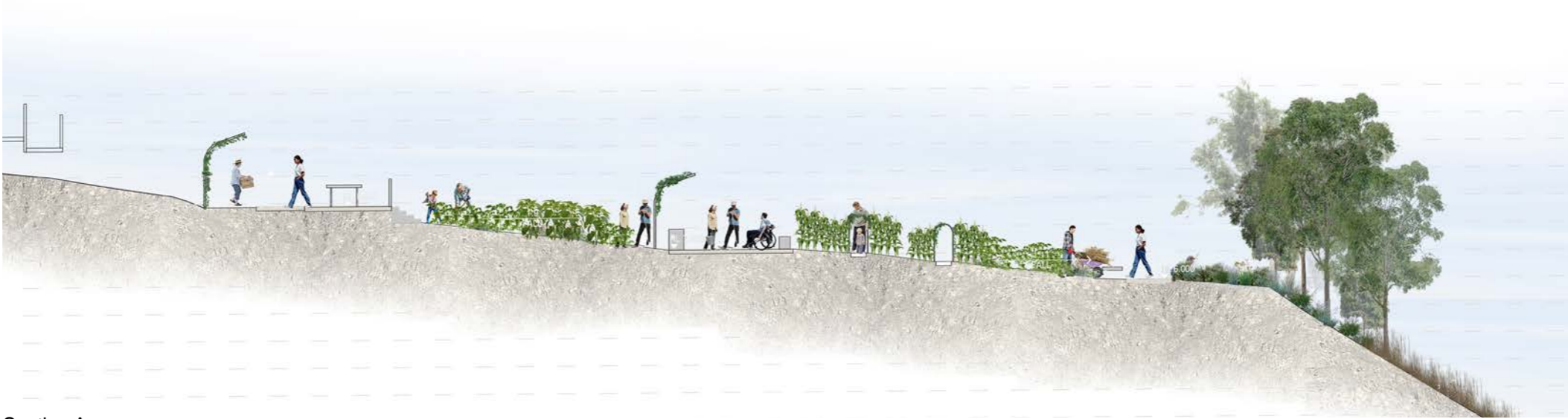
4. Communal occupation

# Concept Plan

- ① **Main Entrances:** Clearly framing the entrances to the community garden.
- ② **Communal Tool Shed:** Shared tools specifically for community gardeners
- ③ **Large Communal Table:** Space for community gatherings or school groups
- ④ **Accessible Vine Planting:** Vines to be planted at accessible spacing
- ⑤ **Raised Accessible Planters:** Planted to allow wheel chair access
- ⑥ **Produce processing area:** Area to process harvests including, sinks, scales ect
- ⑦ **Accessible Orchard:** Dwarf fruit trees to be planted at accessible spacing
- ⑧ **Communal Space:** Central gathering space
- ⑨ **Connection To Market Garden:** Gate installed to allow access to the wider farm
- ⑩ **Gardening Play Area:** Area with spaces for garden play, planting, digging areas, child scale planting
- ⑪ **Quiet Areas:** Semi enclosed spaces away from the main activities of The Farm



Sections



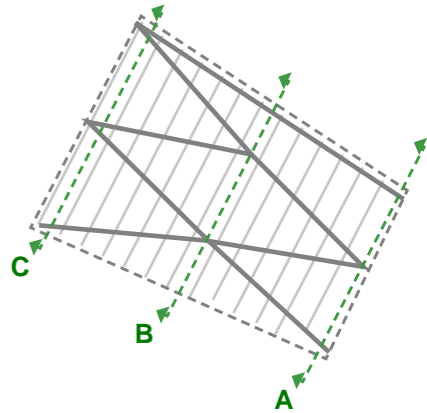
Section A



Section B



Section C



Accessible Paths



Accessible paths: Paths shallower than 1:33 with rest points throughout the site. the site

School Groups Access

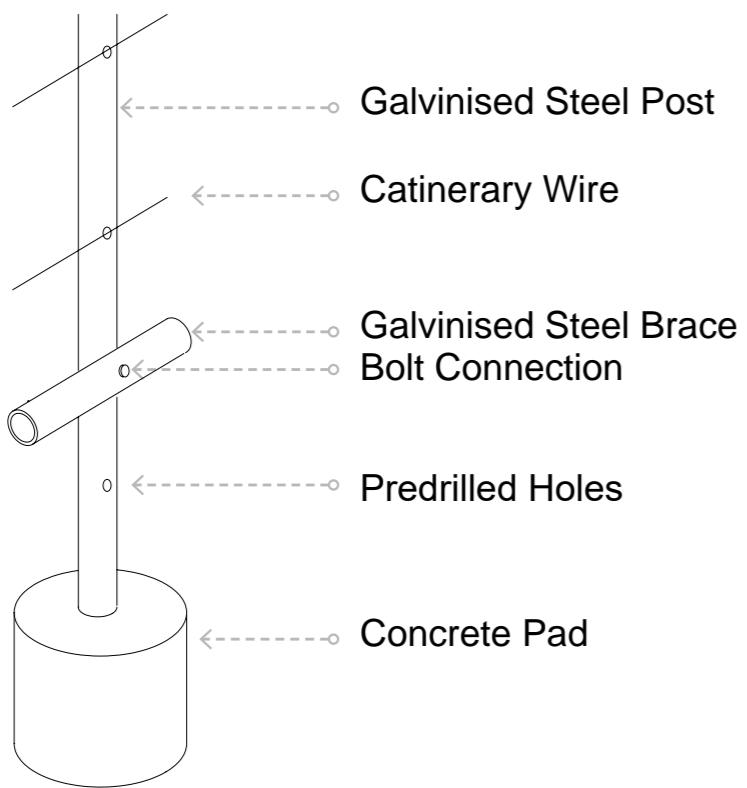


School group access: Garden play areas and quiet zones

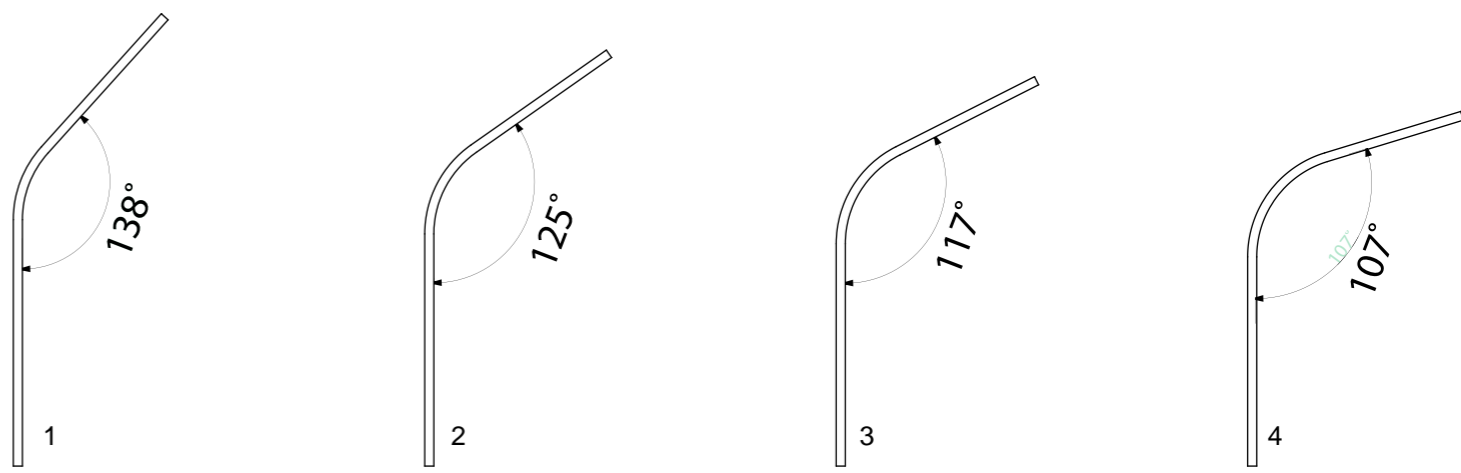
General Access



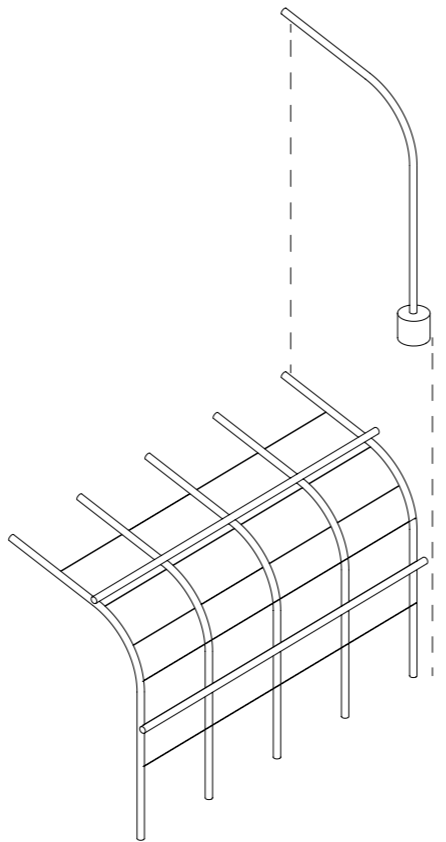
General access: combination of accessible and mulched paths throughout the site



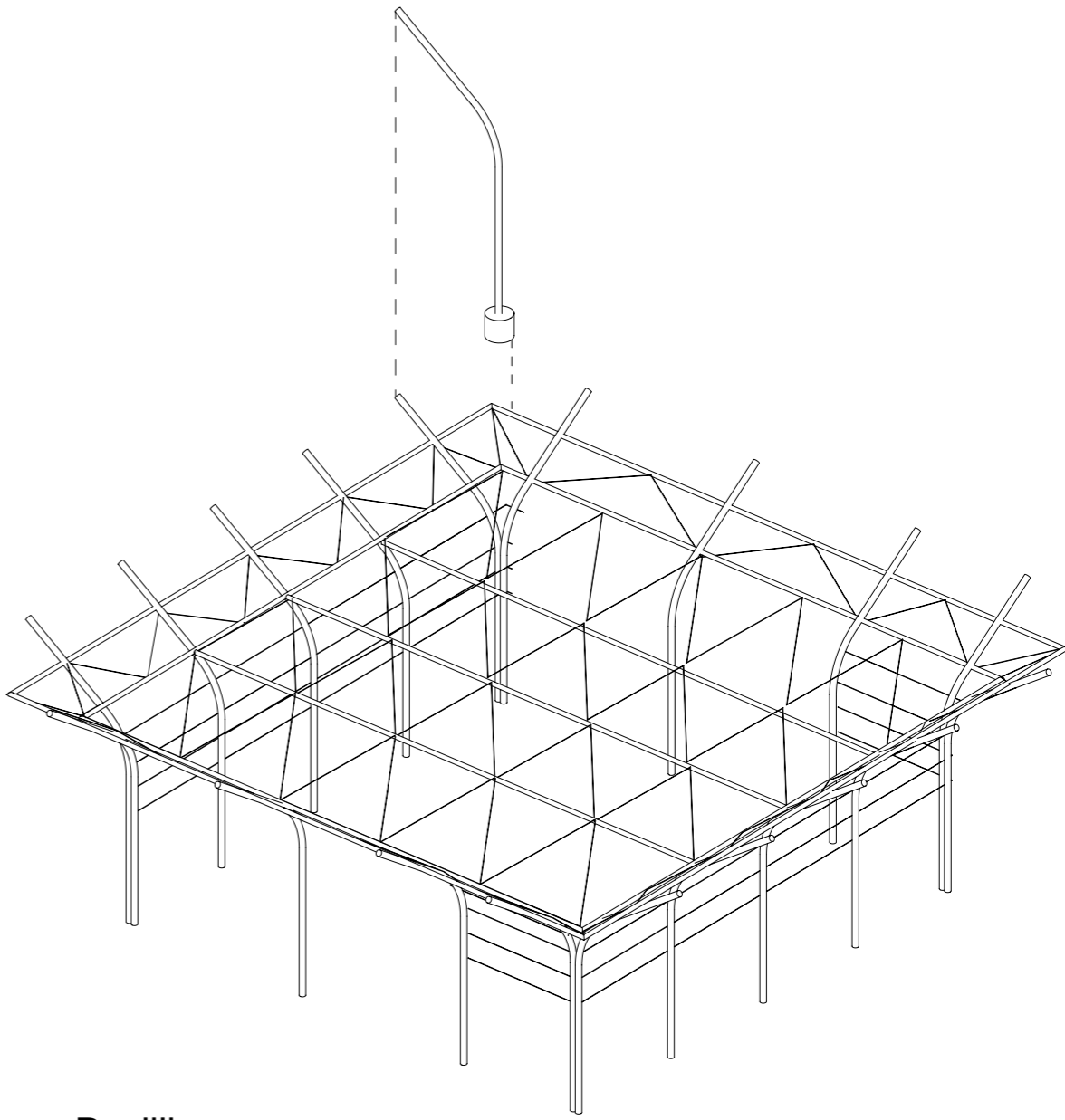
Typical Detail



Post Modules - Rolled Steel Tube



Trellis



Pavillion



Examples



